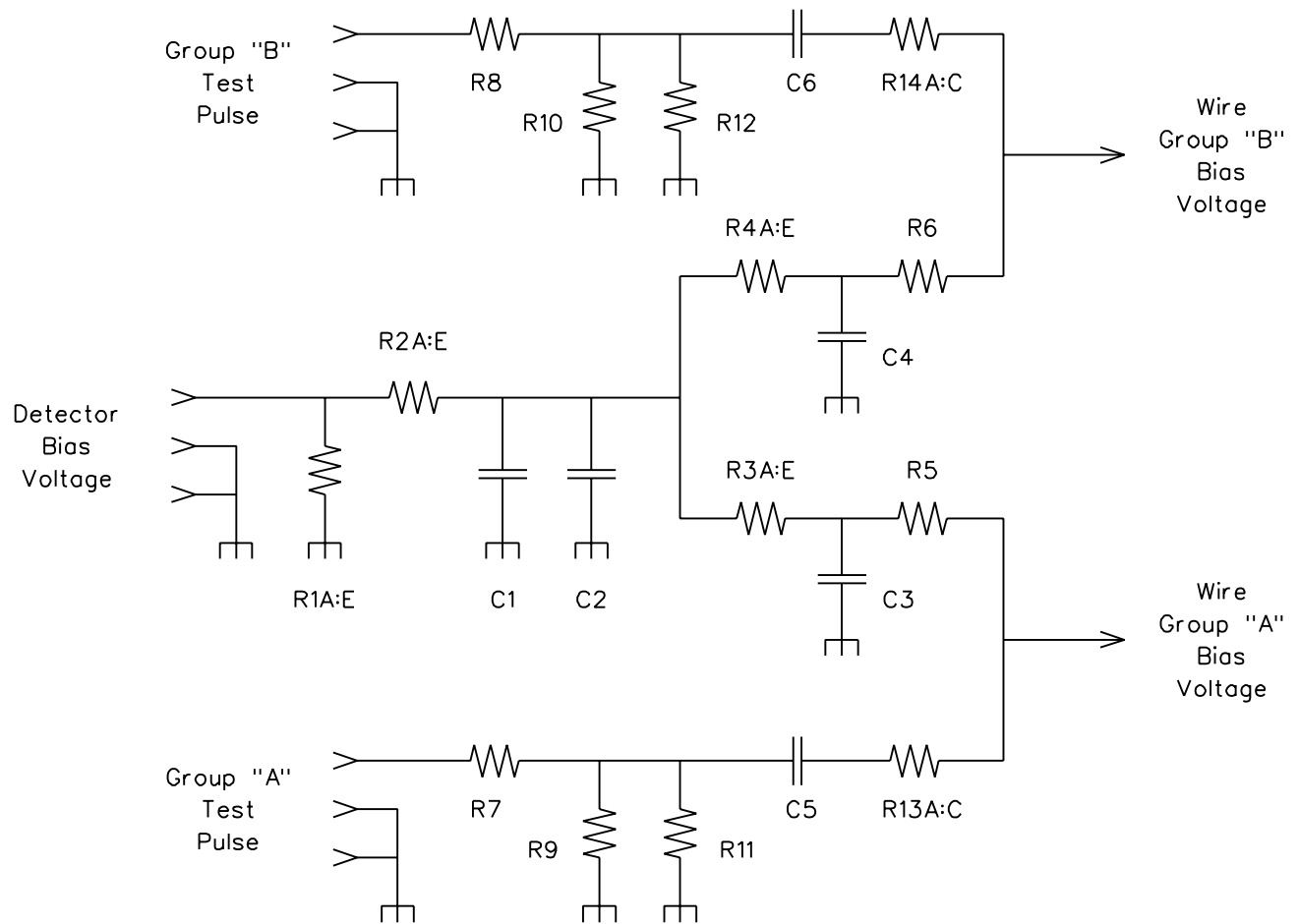


Bias Voltage and Test Pulse Distribution



R1 100 Meg. 5x 20 Meg.

R2, R3, R4 1 Meg. 5x 200k

R5, R6 1k

R7, R8 40.2 Ohm

R9, R10, R11, R12 20 Ohm

R13, R14 9k 3x 3.01k

C1, C2, C3, C4 0.33 μ Fd 1600V

C5, C6 10 nFd 1600V

Rev. 6-SEPT-2006