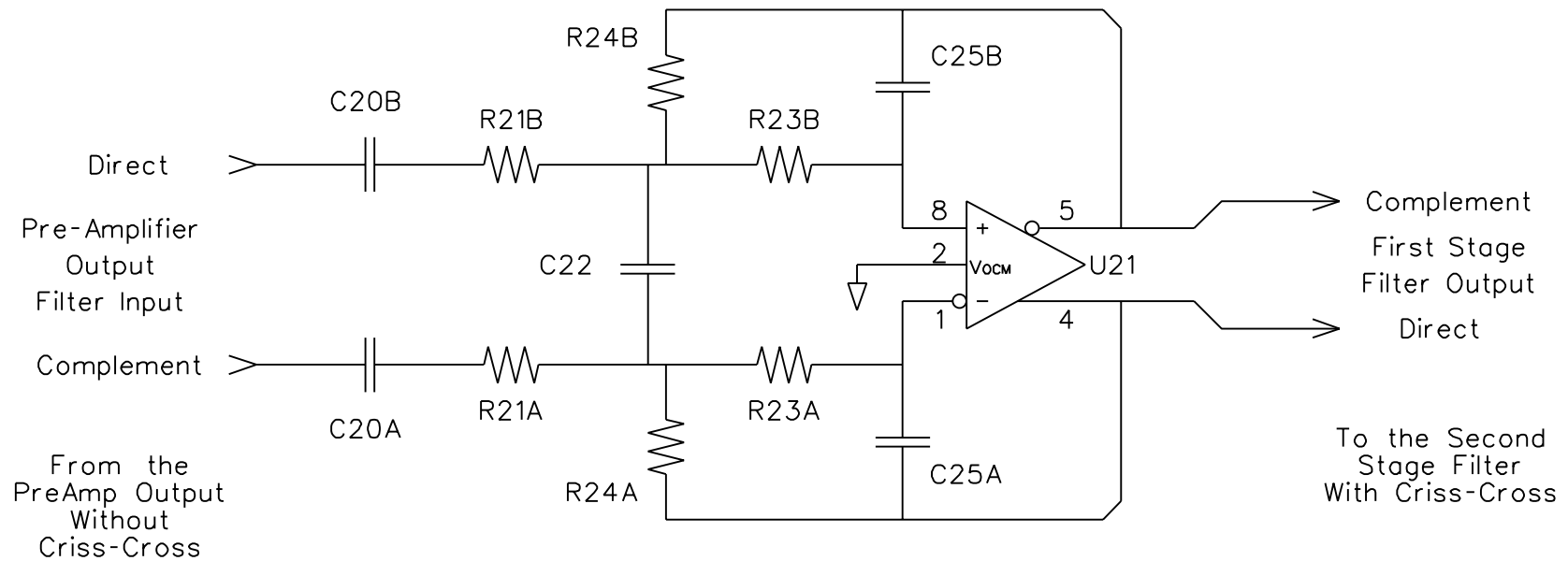
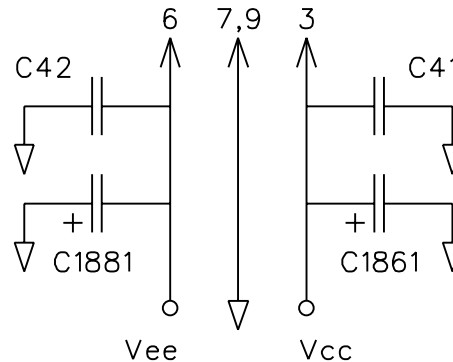


PostAmp-Filter First Stage



- U21 THS4141
- C20 0.15 uFd
- R21 335 Ohm (minus 115 = 220)
- C22 1500 pFd
- R23 576 Ohm
- R24 1690 Ohm
- C25 220 pFd
- C41, C42 0.1 uFd
- C1861, C1881 10 uFd
- shared by both Diff Amps



- Filter Characteristics:
- Low Pass
 - Cutoff = 200 kHz
 - Gain = 5
 - Q = 0.707
 - FSC = 1
- } Butterworth

Rev. Data: 12-SEPT-2006