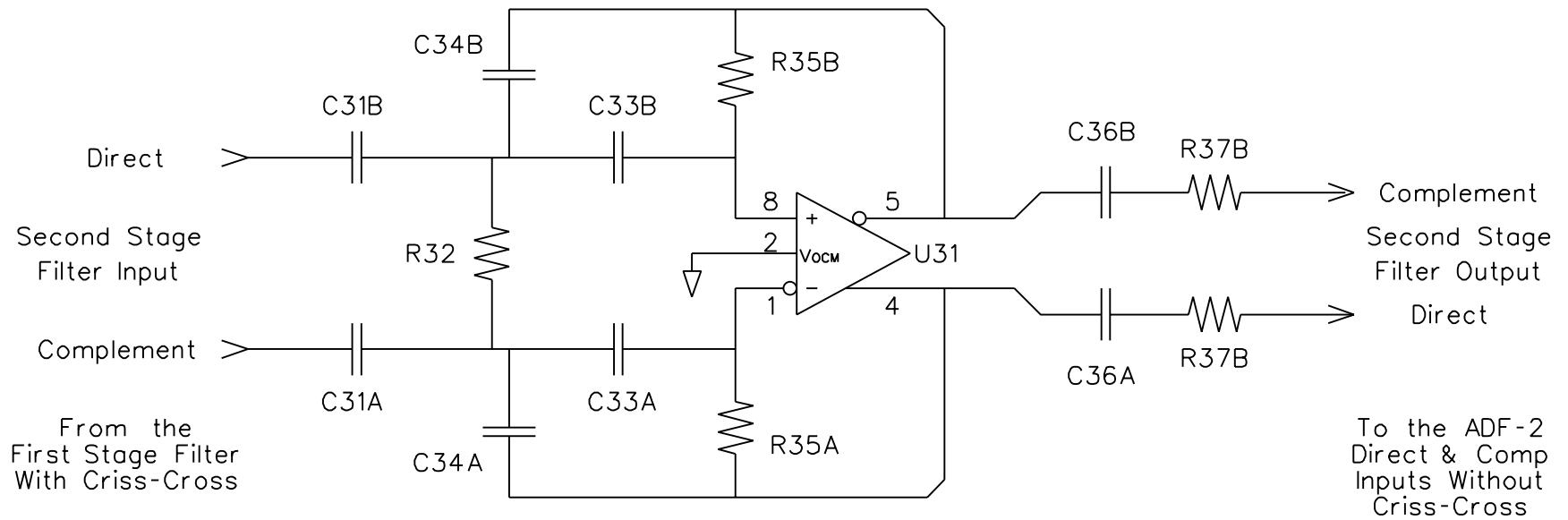
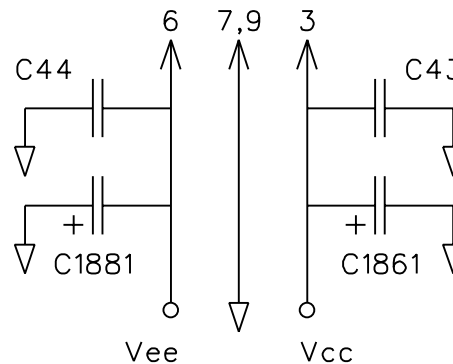


# PostAmp-Filter Second Stage



- U31 THS4141
  - RC30 Zero Ohm Jumper
  - C31 47 nFd
  - R32 432 Ohm
  - C33 47 nFd
  - C34 10 nFd
  - R35 2490 Ohm
  - C36 470 nFd
  - R37 78.7 Ohm
  - C43, C44 0.1 uFd
  - C1861, C1881 10 uFd
- shared by both Diff Amps



Filter Characteristics:

- High Pass
- Cutoff = 10 kHz
- Gain = 4.7
- Q = 0.707
- FSC = 1

} Butterworth

Revision Data: 12-SEPT-2006