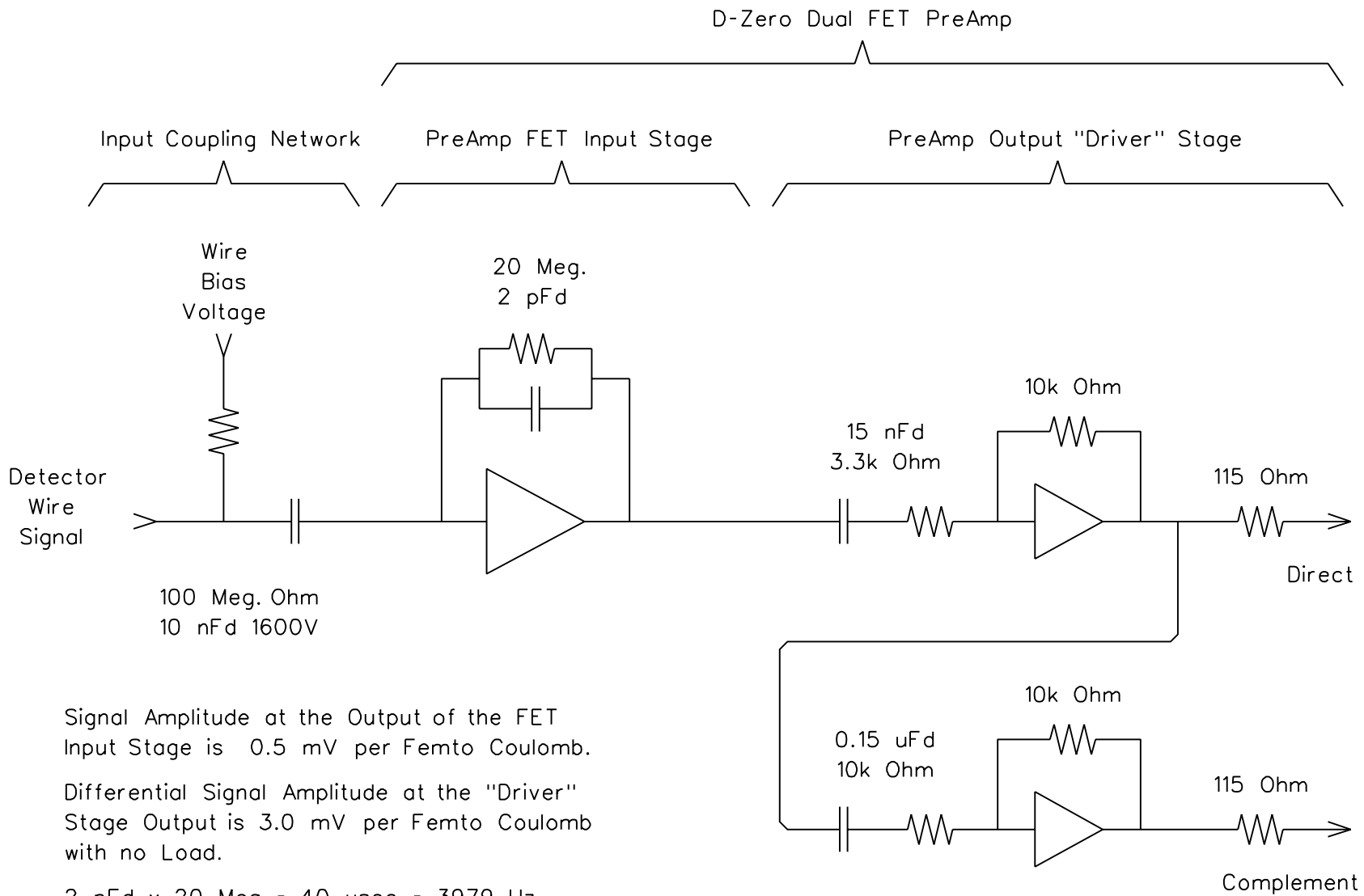


Pre-Amplifier and Its Input Circuit



Signal Amplitude at the Output of the FET Input Stage is 0.5 mV per Femto Coulomb.

Differential Signal Amplitude at the "Driver" Stage Output is 3.0 mV per Femto Coulomb with no Load.

$$2 \text{ pFd} \times 20 \text{ Meg} = 40 \text{ usec} = 3979 \text{ Hz}$$

$$15 \text{ nFd} \times 3.3\text{k} = 50 \text{ usec} = 3215 \text{ Hz}$$